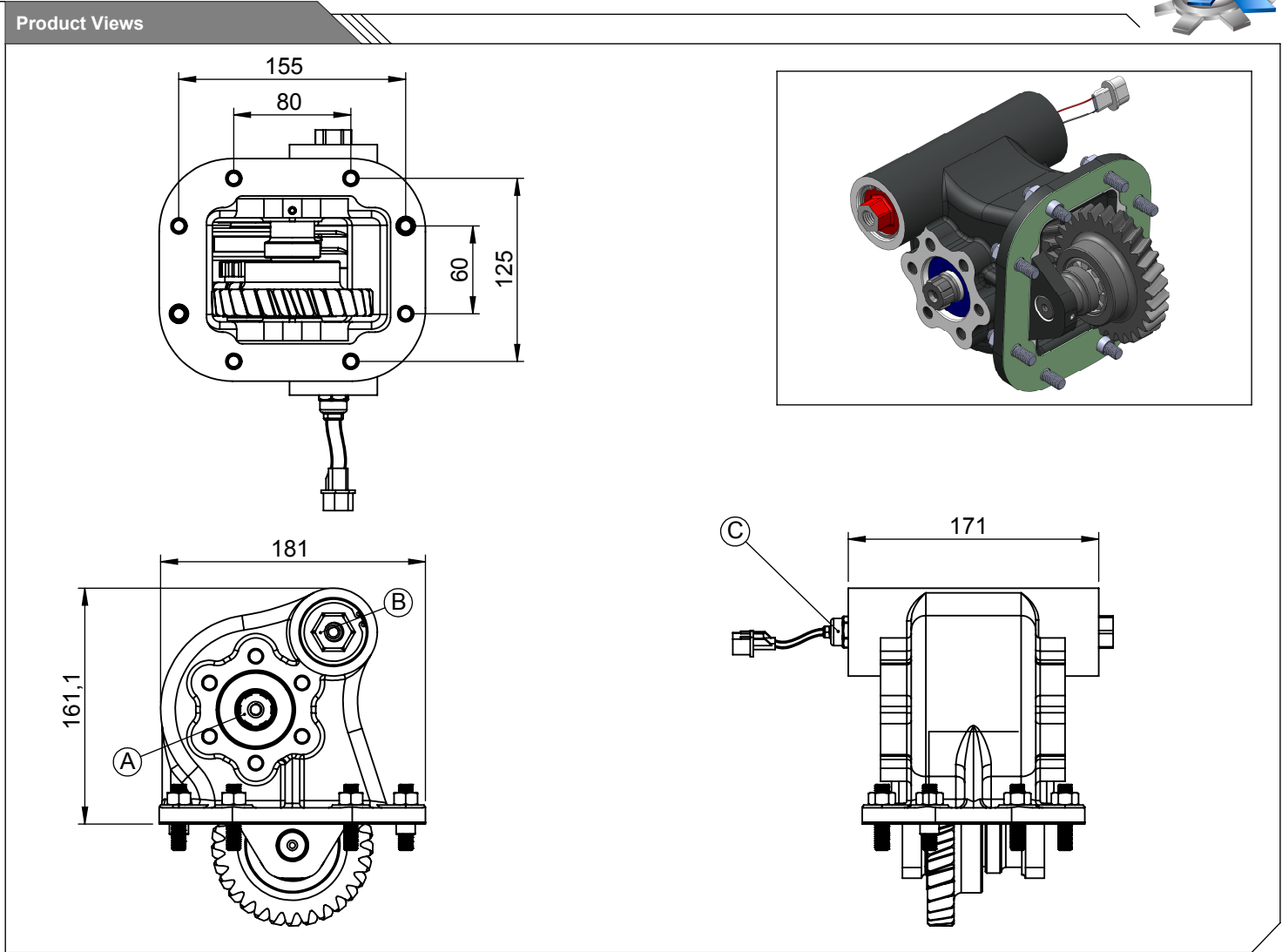


|              |                  |
|--------------|------------------|
| Vehicle Type | ATLAS            |
| Gearbox Type | WAN LI YANG 651B |

|              |                        |
|--------------|------------------------|
| Product Code | <b>ATL.02.651BH.KF</b> |
|--------------|------------------------|



**Component Details**

|  |  |
|--|--|
| <p>A : PTO Output (Standard DIN 5463 6X21X25 UNI 3 Bolt)<br/> Direct mounting ISO 4 bolt mtg. adapter<br/> Drive flange</p> <p>B : Air Inlet R 1/4"</p> <p>C : Switch (Optional)</p> |  |
|--|--|

**Technical Details**

| Power | Maximum Torque |      | Input/Output | Mounting Side | Control Type             |
|-------|----------------|------|--------------|---------------|--------------------------|
|       | kW             | Nm   |              |               |                          |
| 23    | 220            | 22,5 | 1/1.16       | Left          | Pneumatic                |
|       |                |      |              | <b>Weight</b> | <b>Sense of Rotation</b> |
|       |                |      |              | 13 kg         | Opposite of Input        |